

HUSSMANN®

SMGV

IMPACT

Impact Service Merchandiser With Straight Glass and Gravity Coil for Meat and Deli - NSF Certified



Husmann Impact Service Merchandiser With Straight Glass and Gravity Coil for Meat and Deli Applications

HUSSMANN®
Impact

SMGV - Straight Glass Case With Gravity Coil and Small Blower Coil for Meat and Deli

Available in 4', 6', 8', and 12' lengths

Straight Glass With Large, Stainless Steel Top Display Surface

The SMGV offers a traditional straight glass design with a large, stainless steel display surface on top. This provides plenty of extra room for customer service and/or for displaying signs or related products.

Advanced Impact Design

The SMGV is a true "Impact" merchandiser, incorporating the best features and benefits of the Impact product line. These include advanced modular coils, superior energy efficiency, modular case design, durable bumper, and factory pre-adjusted expansion valves.

Reduced Refrigerant, Fewer Leaks

Patented Impact modular coils require 50% to 60% less refrigerant. Also, all return bend solder joints have been eliminated, which greatly reduces the possibility of refrigerant leaks.

Options

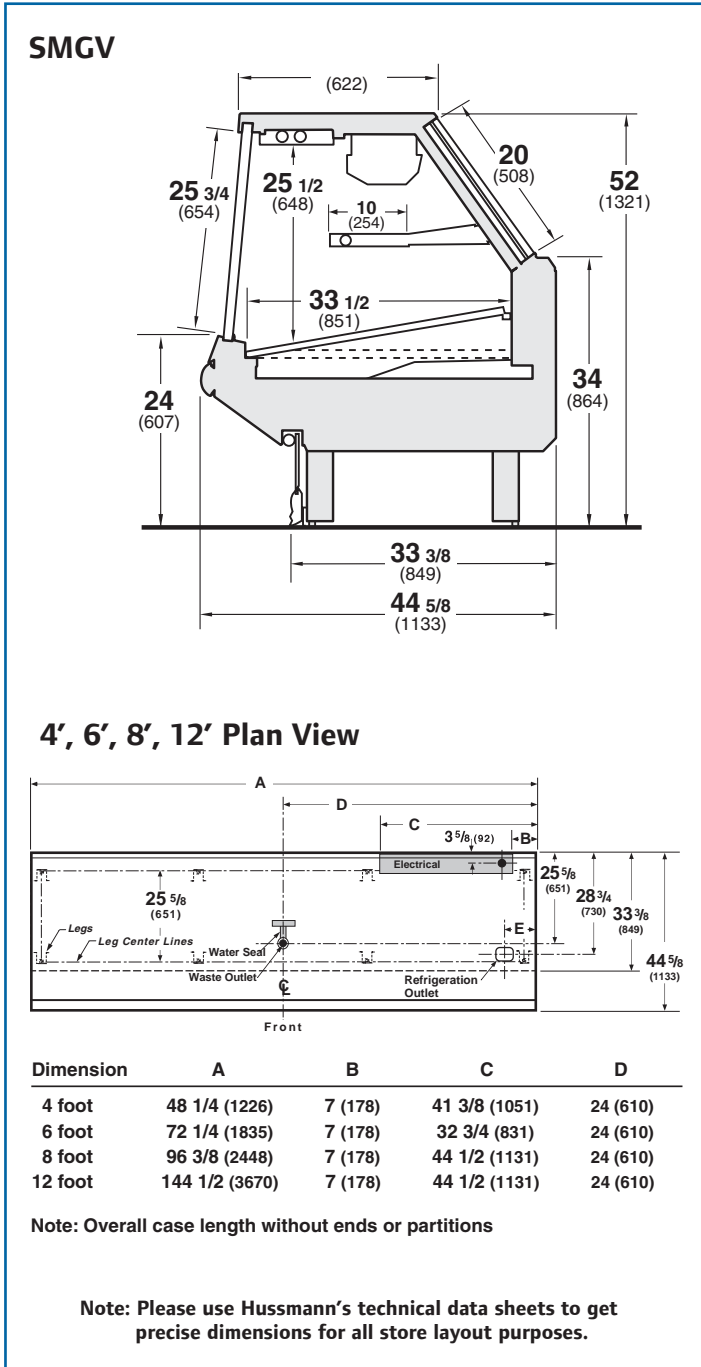
Options include third row canopy lights, mezzanine shelves, scale stands, thermometers and wrapping boards.

NSF Certified

The SMGV has been NSF certified to ANSI/NSF standard 7.

NOTE: These merchandisers are designed for use in stores when temperature and humidity do not exceed 75°F and 55% R.H.

NOTE: We reserve the right to change or revise specifications and product design in connection with any feature of our products. Such changes do not entitle the buyer to corresponding changes, improvements, additions, or replacements for equipment previously sold or shipped.



Web Site: www.husmann.com
E-mail: husmann-marketing@irco.com

IR Ingersoll Rand
Climate Control Technologies

Husmann Corporation
12999 St. Charles Rock Rd.
Bridgeton, MO 63044-2483
(314) 291-2000
(314) 298-4756 Fax