

# HUSSMANN®

S13

*Shop Around Multi-Deck Island for Deli, Cheese and  
Other Medium Temp Applications*



## Shop Around Multi-Deck Island With Straight Glass

**HUSSMANN®**

SI3 - Self-Service Multi-Deck Island With Straight Glass for Medium Temp Deli Products

Available in 8', 10', 12', 14', 16' and longer lengths in 2' increments.

### Dynamic, Multi-Deck Island Merchandising

The SI3 creates an attractive center of attention for dramatic island merchandising. Three refrigerated levels plus a non-refrigerated top platform give you an excellent shop-around structure for your creative display ideas.

### Excellent Reliability and Refrigeration Performance

The SI3 is built with Hussmann quality and reliability. It was designed for superior refrigeration performance to help extend freshness and shelf life.

### Helps You Stimulate Sales

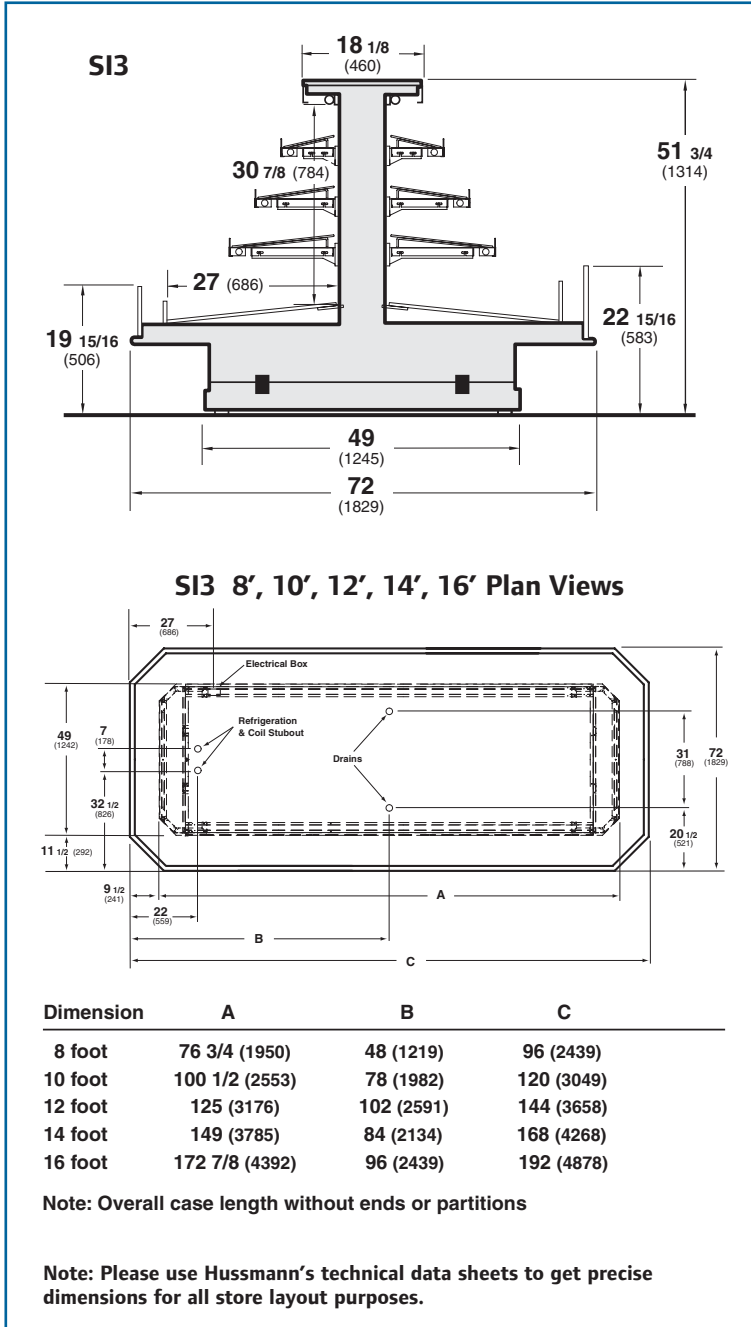
This self-service, multi-deck island is perfect for increasing impulse purchases of your specialty/deli products. The SI3 merchandising format attracts attention and places products in the middle of the shopping flow...where they can't be missed.

### Non-Refrigerated Top Display

To accent your case merchandising, the SI3 comes with an 18" wide top display area for non-refrigerated items that can complement products on display in the case ... and add color and visual interest to the department.

NOTE: These merchandisers are designed for use in stores when temperature and humidity do not exceed 75°F and 55% R.H.

NOTE: We reserve the right to change or revise specifications and product design in connection with any feature of our products. Such changes do not entitle the buyer to corresponding changes, improvements, additions, or replacements for equipment previously sold or shipped.



Web Site: [www.hussmann.com](http://www.hussmann.com)  
E-mail: [hussmann-marketing@irco.com](mailto:hussmann-marketing@irco.com)

**IR Ingersoll Rand**  
Climate Control Technologies

**Hussmann Corporation**  
12999 St. Charles Rock Rd.  
Bridgeton, MO 63044-2483  
(314) 291-2000  
(314) 298-4756 Fax