

HUSSMANN®

ESBDHV

IMPACT ELITE

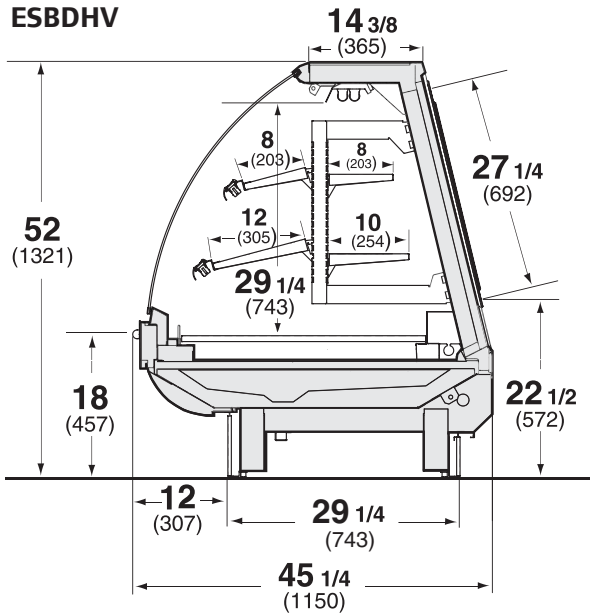
High Volume Curved Glass, Blower Coil Service Case for Deli



ESBDHV - High Volume Curved Glass Service Case for Deli With Blower Coil

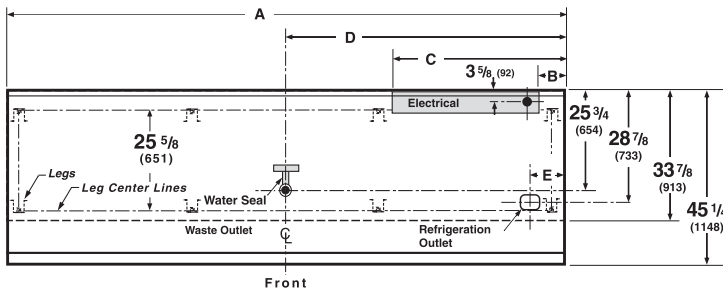
HUSSMANN®
Impact Elite

Standard Lengths: 4', 6', 8', 12'



Note: Please use Hussmann's technical data sheets to get precise dimensions for all store layout purposes.

ESBDHV Plan Views



Dimension	A	B	C	D	E
4 foot	48 1/4 (1226)	6 5/8 (170)	45 1/8 (1147)	24 (610)	9 3/8 (238)
6 foot	72 1/4 (1835)	6 5/8 (170)	32 5/8 (830)	24 (610)	9 3/8 (238)
8 foot	96 3/8 (2448)	6 5/8 (170)	45 1/8 (1147)	24 (610)	9 3/8 (238)
12 foot	144 1/2 (3670)	6 5/8 (170)	45 1/8 (1147)	72 1/4 (1834)	9 3/8 (238)

Note: Overall case length without ends or partitions

High Volume Deli Merchandising

The ESBDHV delivers high volume merchandising opportunities for your specialty operations. These aesthetically advanced, high performance curved glass models are ideal for high profit, service deli products. Large rear doors and lift up front glass make these cases extremely easy to use. Many flexible options are also available, including three rows of display in the front of the case and two rows in the rear for working product storage. **The viewing area is approximately 6" taller than the standard ESBD while maintaining the 52" overall height.**

Elite Styling

Dramatic appearance with uncompromising attention to detail is a hallmark of Impact Elite. The ESBDHV provides a stylish, attention-getting format to help you achieve maximum sales with your creative deli displays.

Proven Impact Performance

The advanced refrigeration technology of Hussmann Impact is now available in the Impact Elite line, giving you better product temperatures, longer shelf life, lower energy costs, fewer refrigerant leaks and easier cleaning and maintenance. Get ultimate styling and ultimate performance with Impact Elite.

At last, advanced styling plus world-class performance and energy efficiency ... that's Impact Elite.

NOTE: These merchandisers are designed for use in stores when temperature and humidity do not exceed 75°F and 55% R.H.

NOTE: We reserve the right to change or revise specifications and product design in connection with any feature of our products. Such changes do not entitle the buyer to corresponding changes, improvements, additions, or replacements for equipment previously sold or shipped.

IR Ingersoll Rand
Climate Control Technologies

Hussmann Corporation
12999 St. Charles Rock Rd.
Bridgeton, MO 63044-2483
(314) 291-2000
(314) 298-4756 Fax

Web Site: www.hussmann.com
E-mail: hussmann-marketing@irco.com