

# HUSSMANN®

CW2U-GE

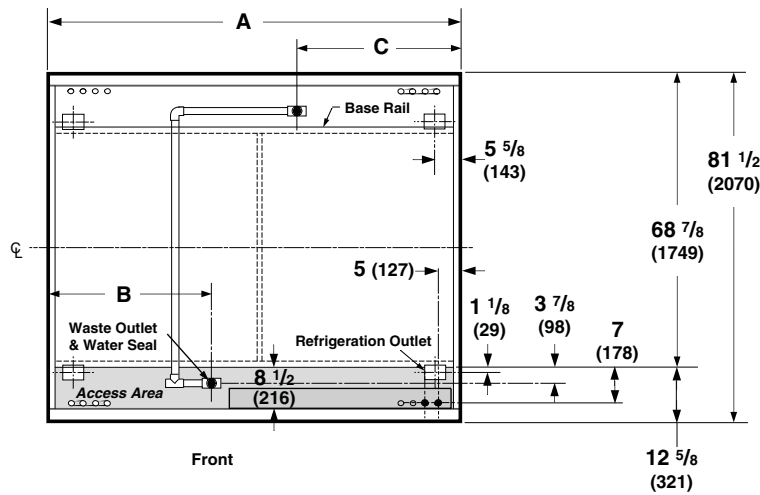
## IMPACT

*Unitized Convertible Island, Low Profile Multi-Deck*





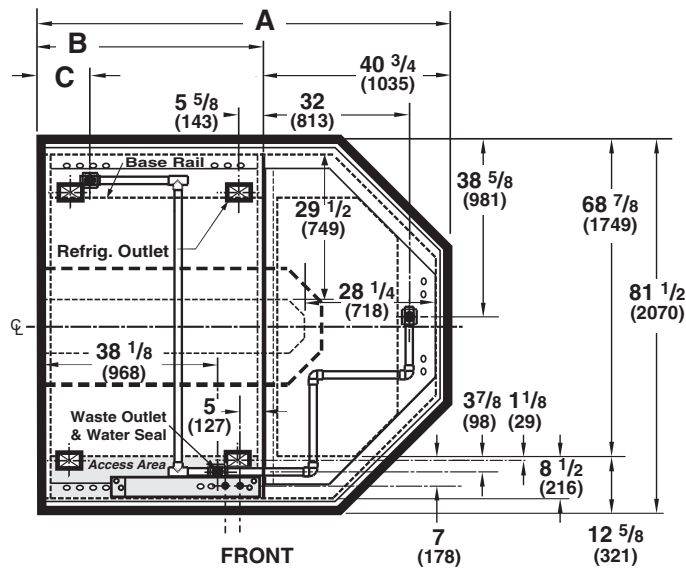
### CW2GE



Dimension	A	B	C
4 foot	48 1/4 (1226)	38 1/8 (968)	38 1/8 (968)
8 foot	96 3/8 (2448)	38 1/8 (968)	38 1/8 (968)
12 foot	144 1/2 (3670)	76 5/8 (1945)	76 5/8 (1945)

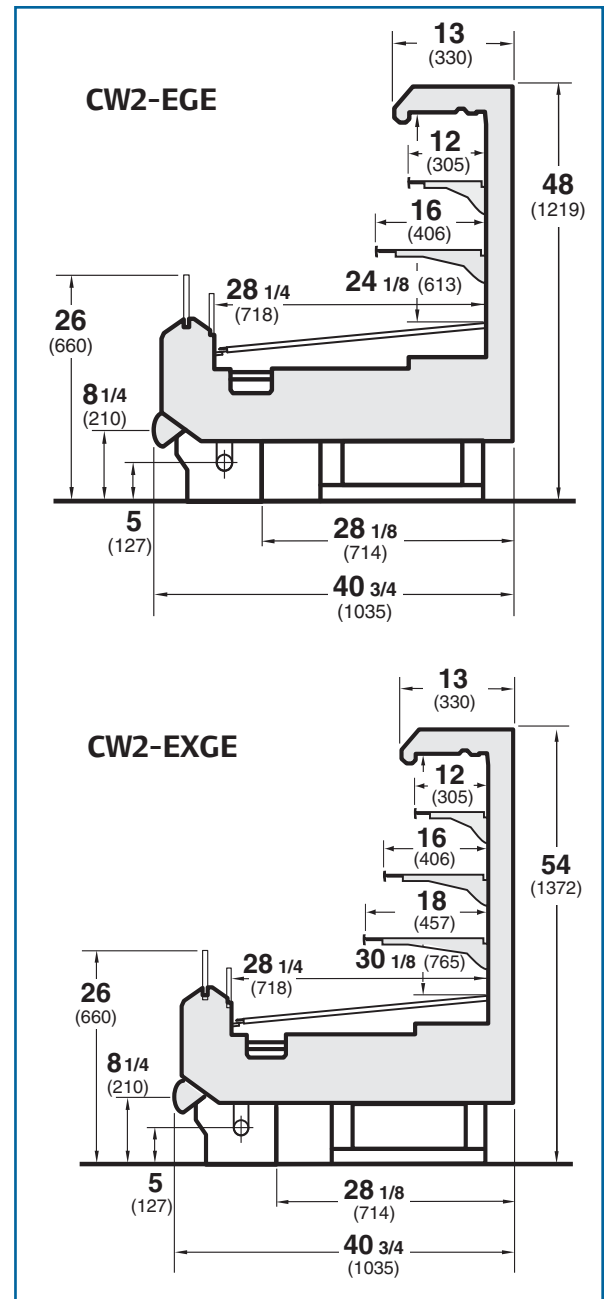
Note:  
Please use Hussmann's technical data sheets to get precise dimensions for all store layout purposes.

### CW2U-GE, CW2U-XGE

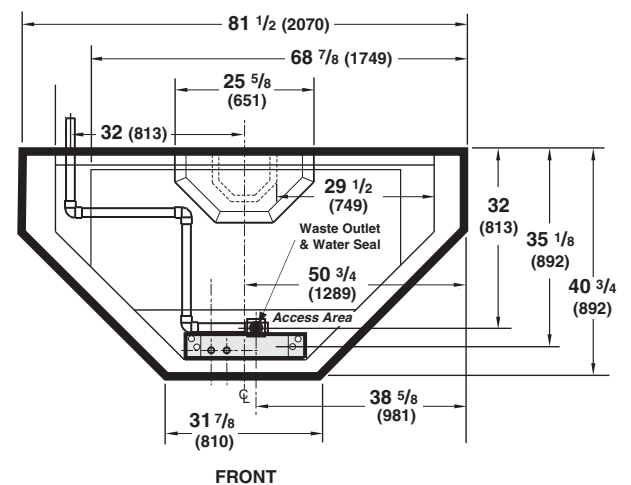


Dimension	A	B	C
90 inches	89 (2261)	48 1/4 (1226)	10 1/8 (257)
138 inches	137 (3480)	96 1/4 (1478)	58 1/8 (1476)

Note: Electrical field wiring connection point.



### CW2-EGE



Note: Maximum dimension of case (back to front) includes bumper.

**Web Site: [www.hussmann.com](http://www.hussmann.com)**  
**E-mail: [hussmann-marketing@irco.com](mailto:hussmann-marketing@irco.com)**



**Hussmann Corporation**  
12999 St. Charles Rock Rd.  
Bridgeton, MO 63044-2483  
(314) 291-2000  
(314) 298-4756 Fax