

HUSSmann[®]
SPECIALTY PRODUCTS

CIDM

Self-Service Spot Merchandiser





Grab and Go

This refrigerated merchandiser can be used for many products to drive impulse sales or cross merchandising selections

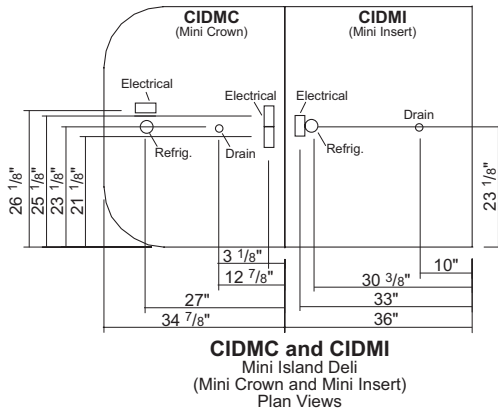
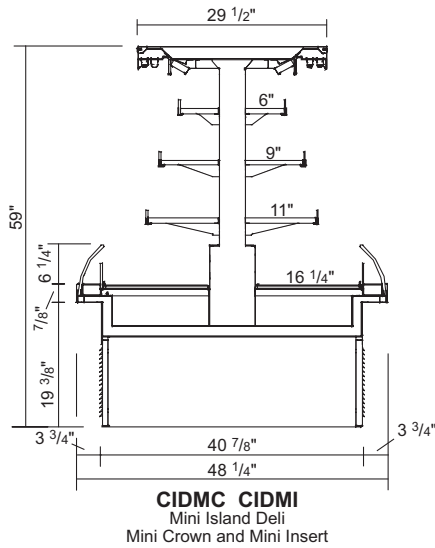
Merchandising Capacity

This multi-level high volume display is only 4' wide and can be used as a crown end against a wall or an island configuration



Product Integrity

Innovative air shelf design assures critical products temperatures are met in all product merchandising areas



Remote or Self Contained ;
CIDMC: 3'x4' End Cap
CIDMI: 3', 4' Insert

FEATURES
OPTIONS

- Level shelves
 - 6" molded curved plexiglass perimeter
 - T-8 fluorescent top lighting
 - 1" black vinyl cart bumper
 - Black interior
 - Dual forced air refrigeration coils
 - Evaporation pan (self contained)
 - Solar digital thermometer
 - Please reference Color Chart for choice of standard Hussmann paint and finish options
-
- Angled shelves
 - Liquid line shut-off valve
 - Energy efficient fan motors
 - Solid surface ledge and top
 - White or stainless interior
 - Custom lengths and options*
(consult your Hussmann sales representative)

For further information, specs and photos:
www.hussmann.com



HUSSMANN Specialty Products
13770 Ramona Avenue
Chino, California 91710
(800) 395-9229 (Marketing)
(909) 590-4133 Fax
www.hussmann.com



These merchandisers are designed for use in stores where temperature and humidity do not exceed 75°F and 55% R.H. (We reserve the right to change or revise specifications and product design in connection with any feature of our products. Such changes do not entitle the buyer to corresponding changes, improvements, additions, or replacement of equipment previously sold or shipped.) *Some optional features may be certified by ETL and/or other 3rd party certification agencies. Contact Hussmann for verification or requests for such certification.