

HUSSMANN®

E3-XC, E3S

IMPACT ELITE

Self-Serve, Multi-Deck Display With Extended Canopy for Deli, Pizza, Prepared Foods or Produce

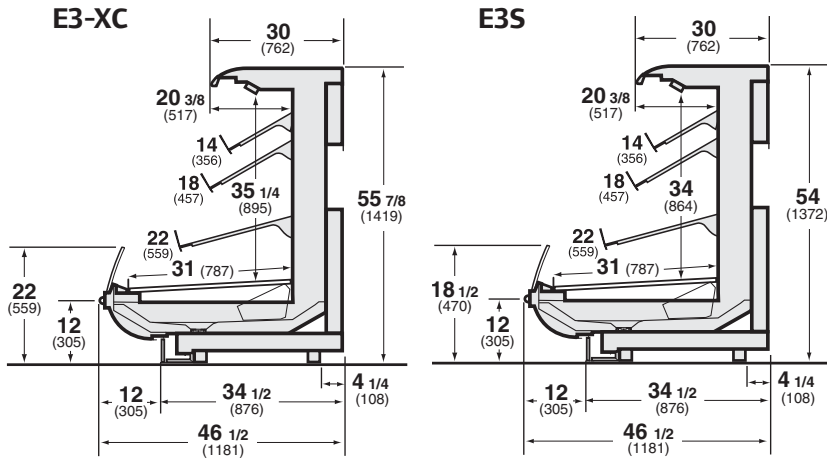


Elite Self-Service Display Case

E3-XC – Self-Serve, Four-Level Display With Extended Canopy
 E3S – Self-Serve, Four-Level Display

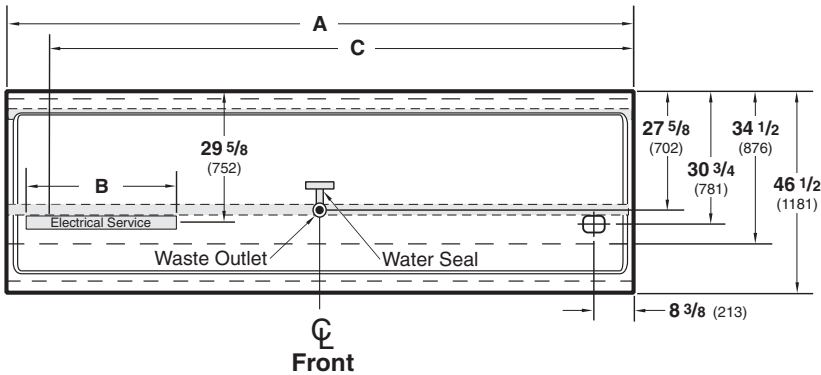
Standard Lengths: 4', 6', 8', 12'

HUSSMANN®
Impact Elite



Note: Please use Hussmann's technical data sheets to get precise dimensions for all store layout purposes.

E3-XC, E3S Plan Views



Dimension	A	B	C
4 foot	48 1/8 (1222)	18 3/8 (467)	36 5/8 (930)
6 foot	72 1/8 (1832)	18 3/8 (467)	60 3/4 (1543)
8 foot	96 1/4 (2445)	37 (940)	84 3/4 (2153)
12 foot	144 3/8 (3667)	37 (940)	132 3/4 (3372)

Note: Overall case length without ends or partitions.

NOTE: These merchandisers are designed for use in stores when temperature and humidity do not exceed 75° F and 55% R.H.

NOTE: We reserve the right to change or revise specifications and product design in connection with any feature of our products. Such changes do not entitle the buyer to corresponding changes, improvements, additions, or replacements for equipment previously sold or shipped.

Merchandising Flexibility

The E3-XC and E3S self-serve multi-deck cases give you the perfect styling, performance and display capacity for your specialty merchandising needs. The extended canopy can accommodate a peg display, allowing the flexibility of complementary hanging products. Up to three shelves can be flat or tilted to provide even more merchandising flexibility.

Elite Styling

Dramatic appearance with uncompromising attention to detail is a hallmark of Impact Elite. The E3-XC and E3S create a style and quality statement that adds value to the specialty shopping experience, helping you increase sales and customer loyalty.

Proven Impact Performance

The superior refrigeration and unmatched energy efficiency of Impact Excel are now part of every Impact Elite case. This advanced technology provides better product temperatures, longer shelf life, lower energy costs, fewer refrigerant leaks and easier cleaning and maintenance.

Lower Labor Cost

Labor-saving features include greater clearance under the case, easy-to-clean bathtub bottom with no coil in the bottom of the case, honeycomb sections and more.

Superior Reliability

Our five-year modular coil warranty is the best available. Pre-set expansion valves are designed to hold optimal temperatures throughout the life of the case.

At last, advanced styling plus world-class performance and energy efficiency... that's Impact Elite.

Web Site: www.hussmann.com
 E-mail: hussmann-marketing@irco.com

IR Ingersoll Rand
 Climate Control Technologies

Hussmann Corporation
 12999 St. Charles Rock Rd.
 Bridgeton, MO 63044-2483
 (314) 291-2000
 (314) 298-4756 Fax