

HUSSMANN®

C2ECXLGE

IMPACT

*55" Tall Convertible With Extended Canopy
C2ECXLGE shown with 90° wedge*



55" Tall Convertible With Extended Canopy



C2ECXLGE - 55" Profile Convertible, Low Front, Glass, Extended Canopy, Medium Temp Deli/Produce

Available in 4', 6', 8' and 12' lengths.

Extended Canopy to Match F2

The C2ECXLGE has an extended, 28 1/2" canopy to match the profile of the F2, our 55" multi-deck for frozen meat and seafood. You can now merchandise frozen and medium temp products side by side in these matching profile, 55" tall fixtures. You can also connect them with a matching profile wedge for unique layouts in upscale departments.

Shelving Flexibility

The C2ECXLGE can accommodate up to three shelves, which are available in 12", 14", 16", or 18" widths. This provides good product volume, easy reach, and excellent merchandising flexibility. The extended canopy offers additional non-refrigerated merchandising space for related items.

Superior Durability, Easy Installation

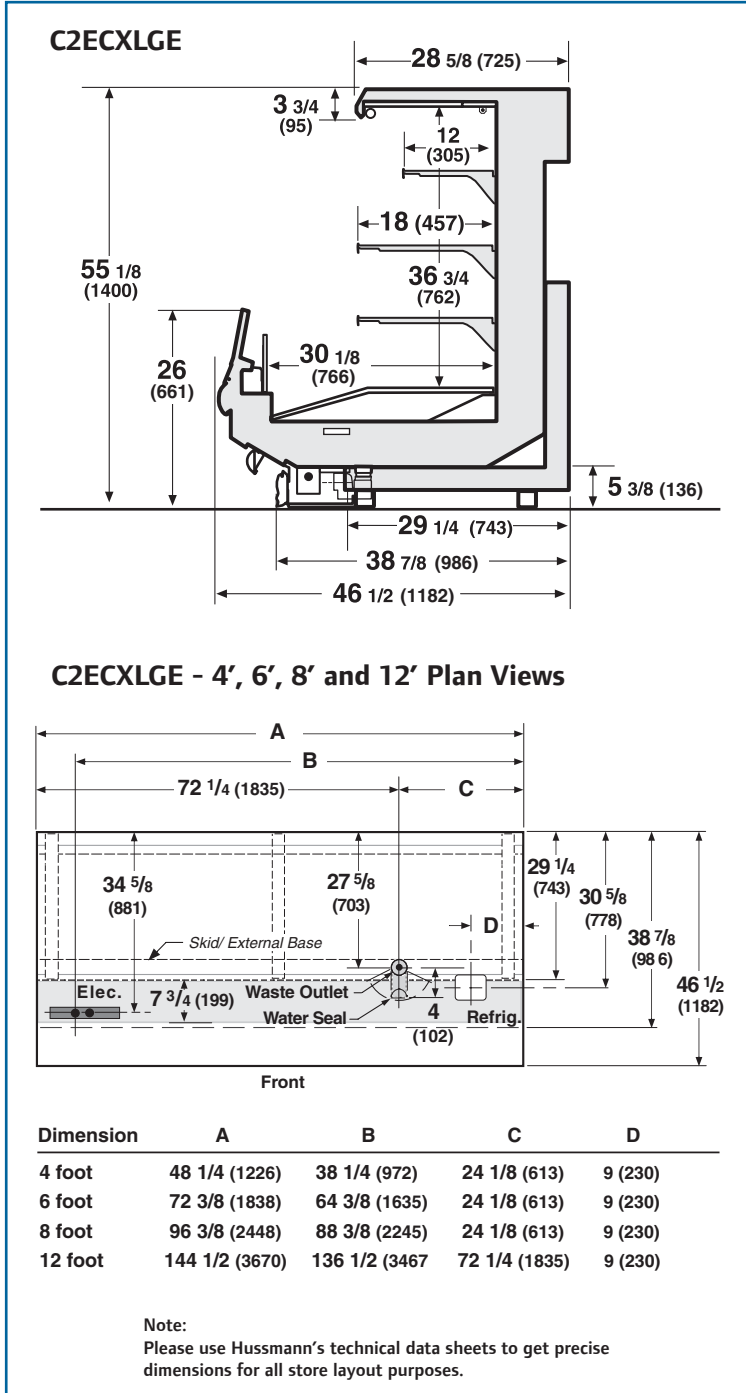
Shock absorbing dual bumpers. Full length internal and external support frames. Heavy duty base and skids. Improved access to joining bolt holes. No TEV adjustment required.

Excellent Refrigeration Performance

Designed for produce and deli applications, this case provides stable product temperatures with minimal variation throughout the display area, even during defrost.

NOTE: These merchandisers are designed for use in stores when temperature and humidity do not exceed 75°F and 55% R.H.

NOTE: We reserve the right to change or revise specifications and product design in connection with any feature of our products. Such changes do not entitle the buyer to corresponding changes, improvements, additions, or replacements for equipment previously sold or shipped.



Web Site: www.husmann.com
E-mail: husmann-marketing@irco.com



Husmann Corporation
12999 St. Charles Rock Rd.
Bridgeton, MO 63044-2483
(314) 291-2000
(314) 298-4756 Fax