

HUSSMANN®

CTCWC

IMPACT

Single Deck, Wood Clad, Self-Service Merchandiser for Deli, Meat, Fish and Other Medium Temp Applications



Single Deck, Wood Clad Case for Medium Temp Applications

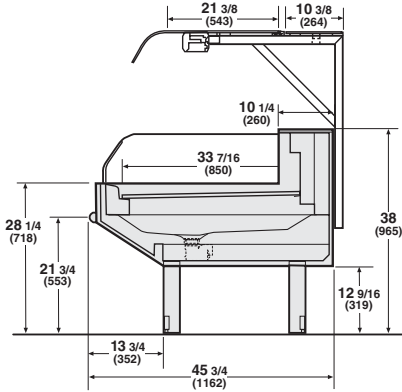
HUSSMANN®
Impact

C1CWC - Specialty, Convertible, Wood Clad, Self-Serve Case for Medium Temp

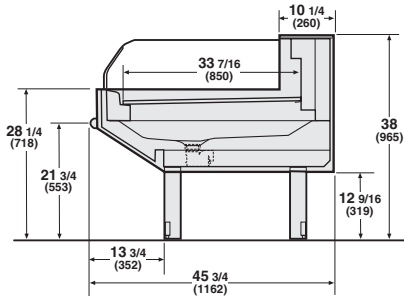
Available in 6' and 8' lengths.

C1CWC w/Light Bar

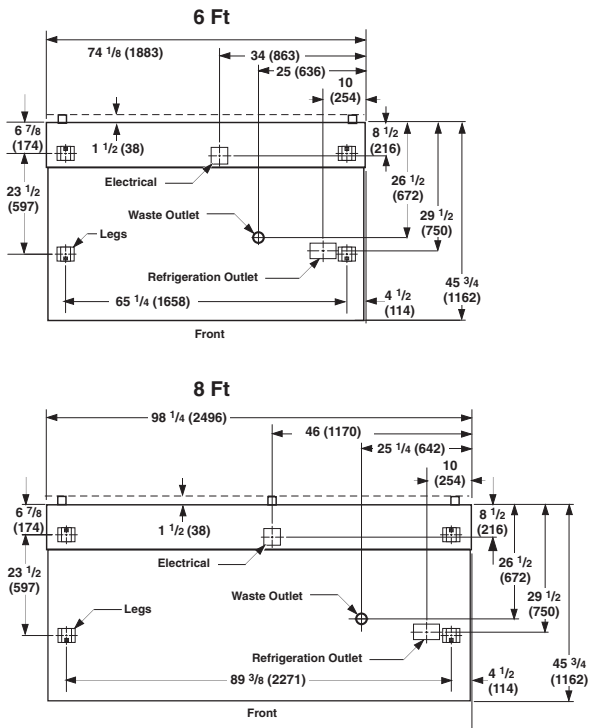
Note:
Please use
Hussmann's
technical data
sheets to get
precise dimensions
for all store layout
purposes.



C1CWC



C1CWC - 6' and 8' Plan Views



Dimensions do not include optional Light Bar - 1 1/2 (38)

The Wood Look in Self-Serve Specialty

The C1CWC brings the warm, wood look to your specialty department. This self-serve convertible is a perfect complement to specialty service cases, providing a medium temp self-serve option for shoppers on the go.

Any Medium Temp Application

From deli...to meat...to fish...to produce...the C1CWC provides flexible merchandising alternatives to all your specialty operations.

Impact Performance With Unique Styling

The C1CWC is based on Impact refrigeration technology. It offers all the energy efficiency and refrigeration performance benefits of Impact...with a custom/specialty wood look.

Design Features

This case includes 12 1/2" legs (or an optional front close-off panel), adjustable feet, a 7 1/2" curved front glass, wooden exterior, and stainless steel interior (standard). It has been NSF Certified to ANSI/NSF standard 7.

NOTE: These merchandisers are designed for use in stores when temperature and humidity do not exceed 75°F and 55% R.H.

NOTE: We reserve the right to change or revise specifications and product design in connection with any feature of our products. Such changes do not entitle the buyer to corresponding changes, improvements, additions, or replacements for equipment previously sold or shipped.

Web Site: www.hussmann.com
E-mail: hussmann-marketing@irco.com

IR Ingersoll Rand
Climate Control Technologies

Hussmann Corporation
12999 St. Charles Rock Rd.
Bridgeton, MO 63044-2483
(314) 291-2000
(314) 298-4756 Fax