

HUSSMANN®

B4X-E

IMPACT EXCEL

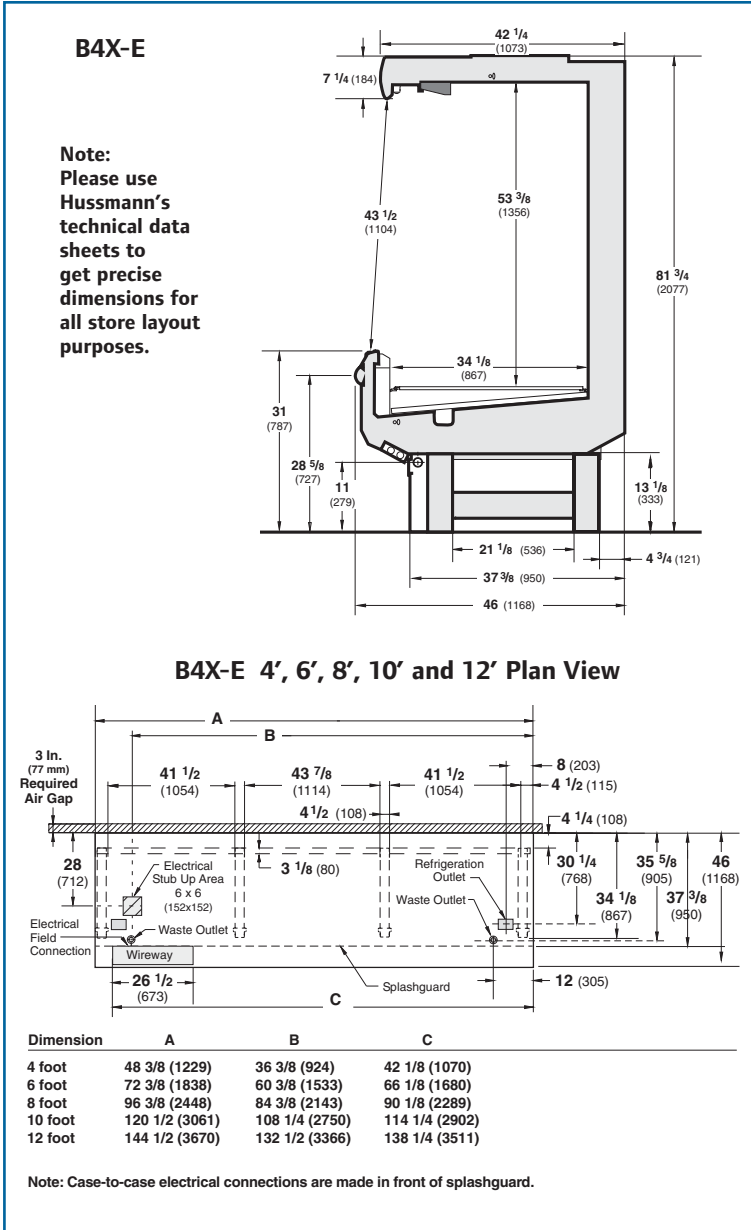
Four-Deck Bulk Convertible Merchandiser for Higher Volume Display of Products, Such as Cheeses, Deli, Prepared Foods, Grab and Go Items, Prepackaged and Cut Produce



Four-Deck High Volume Bulk Convertible Merchandiser

HUSSMANN®
Impact Excel

Available in 4', 6', 8', 10' & 12' lengths.



Note: These merchandisers are designed for use in stores when temperature and humidity do not exceed 75°F and 55% RH.

Note: We reserve the right to change or revise specifications and product design in connection with any feature of our products. Such changes do not entitle the buyer to corresponding changes, improvements, additions or replacements for equipment previously sold or shipped.

Extended Depth for Bulk Applications

The B4X-E high-volume multi-deck is the newest case in Hussmann's bulk line-up. With four decks and an 82" height, the B4X-E can hold four layers of product for easy shopping in higher volume departments. It is 4" deeper (front to back) than our standard Excel multi-deck fixtures for maximum pack-out of bulk medium temp items. Interior merchandising space is 34 1/8" deep (front to back at lower deck) by 53 3/8" tall.

Improved Lighting

Always*Bright LED shelf lights are now available as an option on the B4X-E. The new LEDs provide bright, even illumination of products with lower energy costs. Retailers can save 49% in light-related energy by using the Always*Bright LED system over T-8 fluorescent lights. Hussmann Always*Bright LED fixtures offer superior durability and extended lamp life (5-10 years), reducing the labor costs associated with replacing lamps. One row of fluorescent canopy lights is standard on the B4X-E, with additional canopy and shelf lights (fluorescent or LED) available as an option.

Longer Shelf Life

Modular coils and off-time defrost work to reduce thermal shock and stabilize product temperatures, resulting in better freshness and longer shelf life.

Lower Labor Costs

Labor-saving features include greater clearance under the case, easy-to-clean bathtub bottom with no coil in the bottom of the case, adjustable feet, easier raceway access, 2' honeycomb sections and more.

Superior Reliability

Our five-year modular coil warranty is the best available. Pre-set expansion valves are designed to hold optimal temperatures throughout the life of the case.

IR Ingersoll Rand
Climate Control Technologies

Web Site: www.hussmann.com
E-mail: hussmann-marketing@irco.com

Hussmann Corporation
12999 St. Charles Rock Rd.
Bridgeton, MO 63044-2483
(314) 291-2000
(314) 298-4756 Fax