

HUSSMANN®

B1X

IMPACT EXCEL

*Bulk Single Deck Merchandiser for Higher Volume Display of Products
Such as Meats, Cheeses, Deli and Bulk Produce*



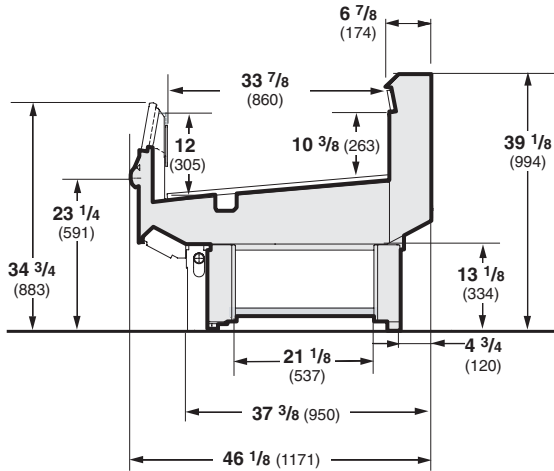
High Volume "Bulk" Single Deck Merchandiser

B1X-GE Bulk, Single-Deck, Extended Depth, Glass Front

HUSSMANN®
Impact Excel

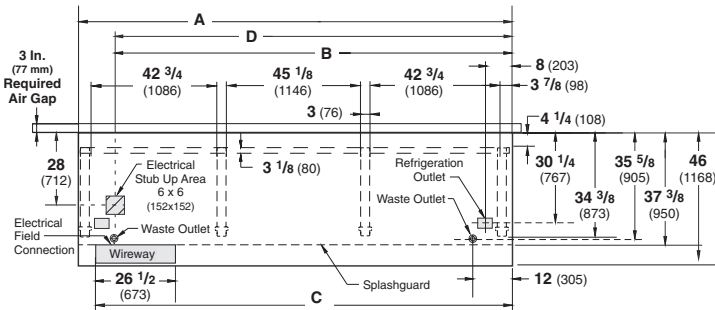
Available in 4', 6', 8' & 12' lengths.

B1X-GE



Note: Please use Hussmann's technical data sheets to get precise dimensions for all store layout purposes.

B1X-GE 4', 6', 8' and 12' Plan View



Dimension	A	B	C	D
4 FT CASE	48 3/8 (2448)	36 1/4 (921)	42 1/2 (1070)	36 3/8 (924)
6 FT CASE	72 3/8 (1838)	60 1/4 (1530)	66 1/8 (1680)	60 3/8 (1533)
8 FT CASE	96 3/8 (2448)	84 1/4 (2140)	90 1/8 (2289)	84 3/8 (2140)
12 FT CASE	144 1/2 (3670)	132 3/8 (3363)	138 1/4 (3511)	132 1/2 (3366)

Single Deck Bulk Applications

Hussmann is growing its popular Excel bulk case line with the single deck B1X. This glass front display is great for high volume, fast turn-around applications in heavy traffic retail food stores.

High Capacity Merchandising

The B1X is 46" deep front to back, compared to 42" in a standard M1X single deck model. This allows almost 4" of additional front to back merchandising space, which helps reduce the number of restocks needed. It also has 12" of interior vertical merchandising depth in front, 10 3/8" in back.

Fast, Easy Restocking

The B1X can be used to display medium temperature products such as hams, whole smoked meats, cheese blocks and other large, pre-packaged items. Since it is an open single deck, it is both fast and easy to reload. Further, its rugged design includes heavy-duty display pans and product stops that can handle the weight and rapid movement of large items.

Accessories Include:

- Stainless Steel Interior Kit
- Heavy-Duty Metal Display Pans
- Stainless Steel Display Pans
- Streamline or Contour Styling
- Telescoping Wire Shelf
- Contoured Ends
- Diamond Plate Ends

Note: These merchandisers are designed for use in stores when temperature and humidity do not exceed 75°F and 55% RH.

Note: We reserve the right to change or revise specifications and product design in connection with any feature of our products. Such changes do not entitle the buyer to corresponding changes, improvements, additions or replacements for equipment previously sold or shipped.

Web Site: www.hussmann.com
E-mail: hussmann-marketing@irco.com

IR Ingersoll Rand
Climate Control Technologies

Hussmann Corporation
12999 St. Charles Rock Rd.
Bridgeton, MO 63044-2483
(314) 291-2000
(314) 298-4756 Fax