

HUSSmann[®]
SPECIALTY PRODUCTS

RGD30 / RGD24

**Refrigerated Self-Service Merchandiser
with 30" or 24" Product Depth
Endcap or Inline**



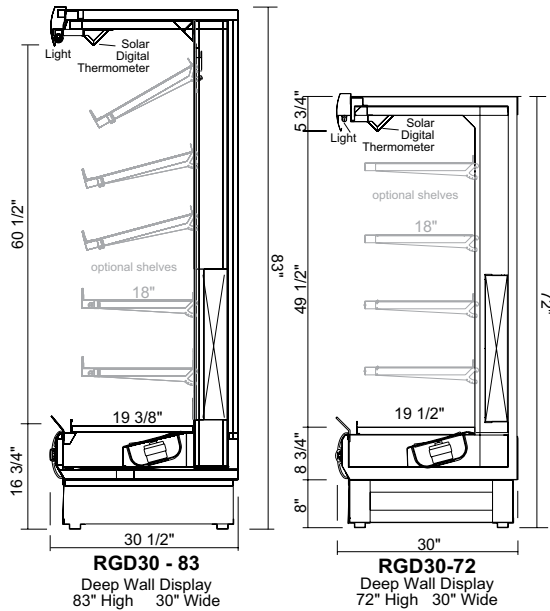
RGD30 / RGD24

Refrigerated Self-Service Deli/Beverage Gondola or Insert Merchandiser

HUSSMANN®
Specialty Products

Merchandising Capacity

This design allows for high product capacity in a 30" or 24" wide footprint for tight spaces or dry gondola isles



Product Integrity

Proven reliability and performance in Hussmann's modular coil package. Our 5 year warranty is the best available



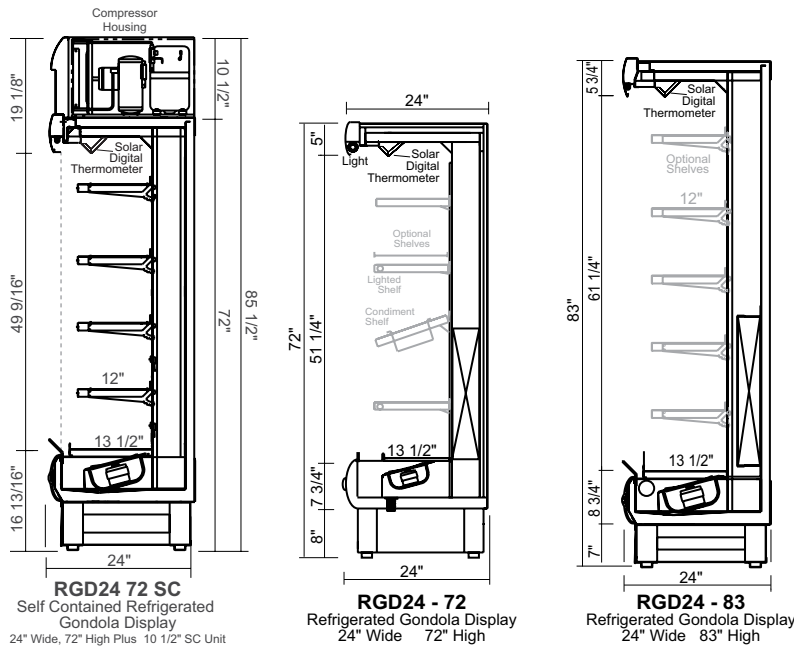
Remote Lengths:

RGD 24/72	3'9" • 4' • 5' • 6' • 8' • 12'
RGD 24/83	3'9" • 4' • 5' • 6' • 8' • 12'
RGD 30/72	3'9" • 4' • 5' • 6' • 8' • 12'
RGD 30/83	3'9" • 4' • 5' • 6' • 8' • 12'

Self Contained Lengths:

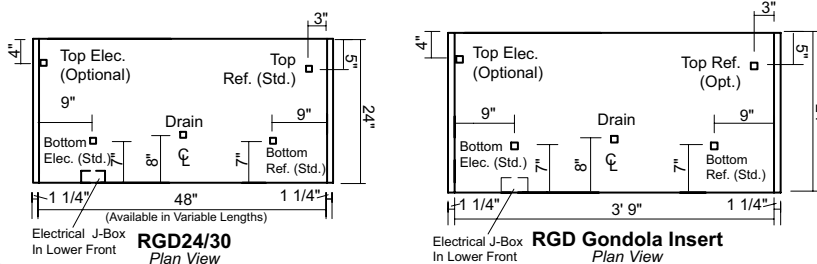
Type 1	RGD 24/72	3'9" • 4' • 5' • 6' • 8'
	RGD 30/72	3'9" • 4' • 5' • 6' • 8'
Type 2	RGD 24/72	4' • 6'

- FEATURES**
- 24" or 30" widths
 - 72" or 83" heights (remote)
 - Multi-deck air curtain
 - Forced air coil
 - White interior
 - Single top light SPX30 T5
 - 2" black vinyl cart bumper
 - Solar digital thermometer
 - Evap pan with pump (self-contained)
 - End panels (self-contained)
 - Condensing unit (self-contained)
 - Please reference Color Chart for choice of standard Hussmann paint and finish options (www.hussmann.com)
- OPTIONS**
- End panels (solid or view end) (Remote)
 - mirror bright stainless steel on interior of end panels
 - Powder coated adjustable (height/angle) shelf with tag molding and product stop (150lb max.)
 - Powder coated level heavy duty shelves with tag molding (250lb max.)
 - Slant shelf for condiment pans
 - Lights for shelves with remote ballast (T5)
 - White or stainless steel interior
 - Back-lighted signage
 - Liquid line hand valve
 - Air evap pan (remote)
 - Custom lengths, trim, decor and options* (consult your Hussmann sales representative)



For further information, specs and photos:
www.hussmann.com

Matching family members
Single Deck Service Deli Curved Glass: RGD24
Single Deck Service Deli Straight Glass: RGD30



IR Ingersoll Rand
Climate Control Technologies

HUSSMANN Specialty Products
13770 Ramona Avenue
Chino, California 91710
(800) 395-9229 (Marketing)
(909) 590-4133 Fax
www.hussmann.com

These merchandisers are designed for use in stores where temperature and humidity do not exceed 75°F and 55% R.H. (We reserve the right to change or revise specifications and product design in connection with any feature of our products. Such changes do not entitle the buyer to corresponding changes, improvements, additions, or replacement of equipment previously sold or shipped.) *Some optional features may be certified by UL, NSF, and/or other 3rd party certification agencies. Contact Hussmann for verification or requests for such certification.