

HUSSMANN®

SN/SM

Spot Merchandisers - Medium and Low Temperature

SN - Low Temperature/Ice Cream, Solid Glass Top

SM - Medium and Low Temperature, Open Top



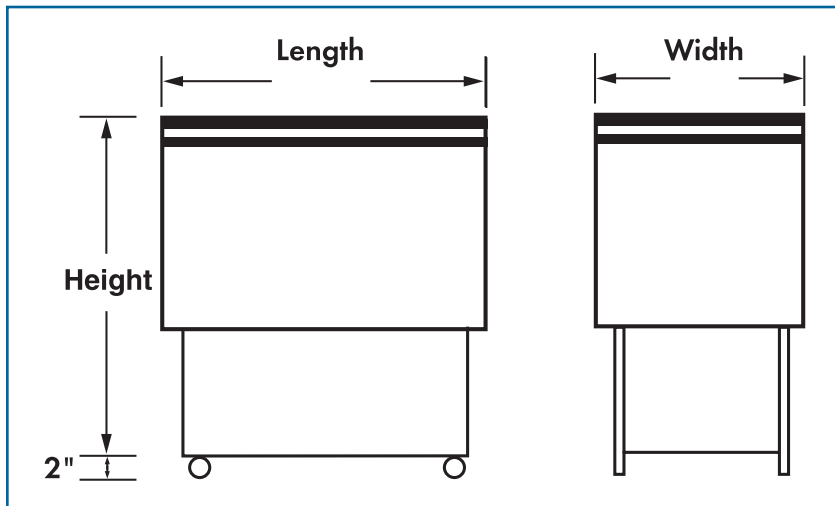
Spot Merchandisers

Medium and Low Temperature, Open Top

SN - Low Temperature/Ice Cream, Solid Glass Top

SM - Medium and Low Temperature, Open Top

HUSSMANN®



Merchandising

Hussmann Spot Merchandisers feature versatility and mobility for everyday displays of any product from juice to pizza to ice cream. Perfect for new product introductions, seasonal specials... or to boost sales of existing products. Easy to merchandise and move anywhere in your store for added impulse sales.

Construction

Interior and exterior heavy-gauge steel with white baked polyester powder coating for superior rust and impact resistance. Molded one-piece collars of high impact ABS plastic provide thermal break. Wrap-around evaporators supply cold from all four walls. Eight-foot electrical supply cord standard. Two-inch swivel casters. Designed for easy installation, service and clean-up... Just plug in and start selling.



All Models



NEMA 5-15P

Design

SN/SM model spot merchandisers maximize product facings in minimum floor space. Optional custom color graphics create eye-catching displays for personalization or special product promotions. SN models feature E-coated tempered glass sliding lids. SM-110 designed for merchandising six 12" diameter pizza facings.

Refrigeration

All models feature sealed refrigeration systems utilizing R404A CFC-free refrigerant. Foamed-in-place CFC-free polyurethane insulation for maximum refrigeration efficiency. Thermostatic control provides continuous range of temperature settings – SM models from 10°F to 40°F and SN models from -10°F (SM-075 and SM-090 not recommended for medium temperature application). Thermometer standard on all SN models.

Warranty

Five years against insulation failure or leaks in insulated area. Five years against failure of compressor. One year against defective materials or faulty workmanship, including labor.

Optional Accessories

- Choice of Exterior Colors
- Adjustable Bottom Rack-Stainless Steel. Elevates Bottom to Three Different Levels for Minimum Product Display or for Fragile Packages that Should not be Stacked
- Frost Accumulator-Aluminum Collar Which Accumulates Frost. Lifts Out for Defrost Without Moving Products. Protects Evaporator.
- Sign Holders
- Hanging Baskets
- Bumpers
- Personalized Graphics

MODEL	EXTERIOR DIMENSIONS			CU. FT.	REFRIG.	HZ/PH	ELECTRICAL		APPROX. SHIP WT.
	L	D	H				VOLTS	RUN AMPS	
SN-090	35 1/2"	24 1/2"	36"	6.73	R-404A	60/1	115	4.5	167 lbs.
SN-115	45"	24 1/2"	36"	8.83	R-404A	60/1	115	4.5	190 lbs
SN-115C	45"	24 1/2"	33"	7.43	R-404A	60/1	115	4.5	178 lbs
SN-190	75"	24 1/2"	36"	15.40	R-404A	60/1	115	6.5	300 lbs
SM-115*	45"	24 1/2"	34 1/2"	8.83	R-404A	60/1	115	4.5	178 lbs
SM-115C*	45"	24 1/2"	31 1/2"	7.43	R-404A	60/1	115	4.5	167 lbs
SM-110*	41"	29"	34"	12.00	R-404A	60/1	115	6.5	162 lbs

*SM models are not designed for ice cream use.

NOTE: These merchandisers are designed for use in stores when temperature and humidity do not exceed 75°F and 55% RH.

We reserve the right to change or revise specifications and product design in connection with any feature of our products. Such changes do not entitle the buyer to corresponding changes, improvements, additions, or replacements for equipment previously sold or shipped.

Web Site: www.hussmann.com
1-800-922-1919