

HUSSmann[®]
SPECIALTY PRODUCTS

THE **Q** SERIES
MERCHANDISING | STYLE | PERFORMANCE | QUALITY

Q3-MS / Q3-FS
Multi-Deck Meat/Fish with Straight Glass



Q3-MS / Q3-FS

Refrigerated Service, Meat or Fish Merchandiser - Straight Glass

HUSSMANN®
Specialty Products



Merchandising Flair

Optimized visibility - Full view of display deck. Standard lighting produces a balanced spectrum of light with superior color definition and low glare.

Quality Fit & Finish

Designed for ease of installation. Simplified glass adjustment has special alignment design to assure fit. Does not require unsightly joint trim. Matches sleek design elements of the Q Series family.



Merchandising Flexibility

Adjustable deep deck with conduction coil for meat.

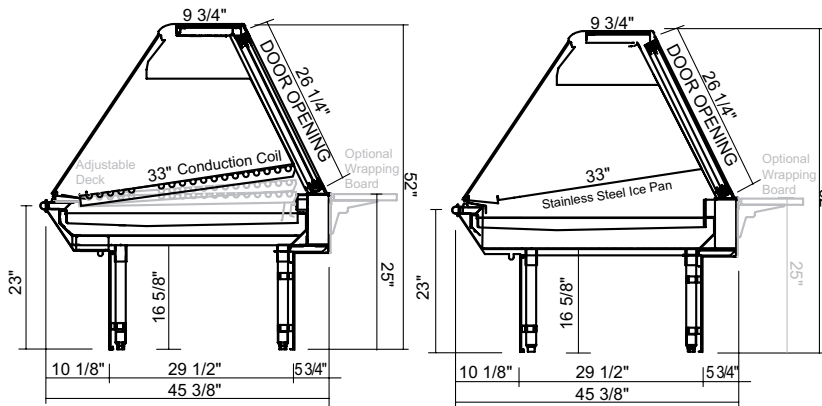


Ergonomics

Large rear door opening and angled back improves product access.

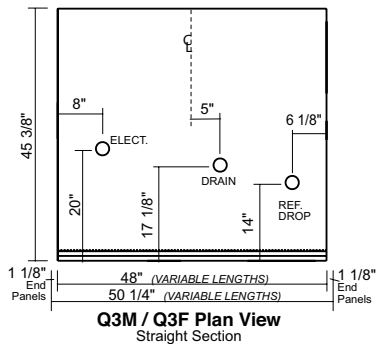
Product Shelf Life

Dual refrigerated systems to reduce product dehydration and shrink.



Q3-MS
Service Multi-Deck Meat - Straight Glass
with Adjustable Stanted Deck

Q3-FS
Service Multi-Deck Fish - Straight Glass



Q3M / Q3F Plan View
Straight Section



These merchandisers are designed for use in stores where temperature and humidity do not exceed 75°F and 55% R.H. (We reserve the right to change or revise specifications and product design in connection with any feature of our products. Such changes do not entitle the buyer to corresponding changes, improvements, additions, or replacement of equipment previously sold or shipped.) *Some optional features may be certified by UL, NSF, and/or other 3rd party certification agencies. Contact Hussmann for verification or requests for such certification.

Remote: 4'·6'·8'·12'

FEATURES

- Tempered, non-glare, lift-up straight front clear glass
- Large clear glass sliding rear doors
- Gravity/conduction coil (Meat)
- Gravity coil, ice pans with stops (Fish)
- Stainless steel interior pans
- Adjustable deck for flexible merchandising
- Adjustable stainless steel legs
- Stainless steel top cover
- Solar digital thermometer
- Front glass heated air sweep
- 2 rows of high color definition lamps
- Electronic ballast
- Thermostat and suction stop installed
- Black vinyl cart bumper
- Please reference color chart for choice of standard Hussmann paint and finish options (www.hussmann.com)

OPTIONS

- Automatic or manual water flush (reduces the need for manual case cleaning)
- Corian®, granite or other solid surface front and/or top ledge (NSF approved material)
- Mirrored rear doors
- Thermoplastic wrapping boards with adjustable riser
- View or solid ends
- Mirror bright stainless steel inside end panels
- Stainless steel pedestals
- Top mounted scale stand extensions with dedicated scale outlet and Cat 5 scale connections
- Ledge lighting
- Liquid line shut-off hand valve
- 15 amp GFCI duplex outlet
- Special interior and exterior finishes
- Custom trim and decor
- Custom lengths and options* (Consult your Hussmann sales representative)

For further information, specs and photos:
www.hussmann.com

Matching family members

Multi Deck Service Deli Curved Glass: **Q3-DS**

Multi-Deck Self-Service: **Q3-S5**

Multi-Deck Service Bakery: **Q3-B5**

Service Hot Curved Glass: **Q-HS**



HUSSMANN Specialty Products
13770 Ramona Avenue
Chino, California 91710
(800) 395-9229 (Marketing)
(909) 590-4133 Fax
www.hussmann.com